

Valco Valve 18900F

Description	HP Part No.	Qty.
1. Valve		
Gas Sampling Valves		
– 6-port valve (225°C max)	5062-9508	
– 6-port valve (350°C max)	0101-0584	
– 6-port valve (hastelloy, 225°C max)	5062-9509	
– 10-port valve (225°C max)	5062-9510	
– 10-port valve (350°C max)	0101-0585	
– 10-port valve (hastelloy, 225°C max)	5062-9511	
Liquid Sampling Valves		
– 4-port valve (Internal Sample Injector) (0.2µl, 1000 psi, Option 850)	0101-0636	
– 4-port valve (Internal Sample Injector) (0.5µl, 1000 psi, Option 852)	0101-0637	
– 4-port valve (Internal Sample Injector) (1.0µl, 1000 psi, Option 854)	0101-0638	
– 4-port valve (Internal Sample Injector) (0.5µl, 5000 psi, Option 856)	0101-0639	
2. Ferrule	0100-1022	
3. Nut	0100-0791	
4. Rotors:		
General Purpose Valve Rotors		
– 6-port valve (225°C max)	5181-7459	
– 10-port valve (225°C max)	5181-7460	
– 6-port valve (350°C max)	1535-4952	
– 10-port valve (350°C max)	1535-4954	
Standard Pressure Liquid Sample Valve Rotors		
– 0.2 µl 4-port (1000 psig max)	5062-3563	
– 0.5 µl 4-port (1000 psig max)	5062-3562	
– 1.0 µl 4-port (1000 psig max)	5062-3559	

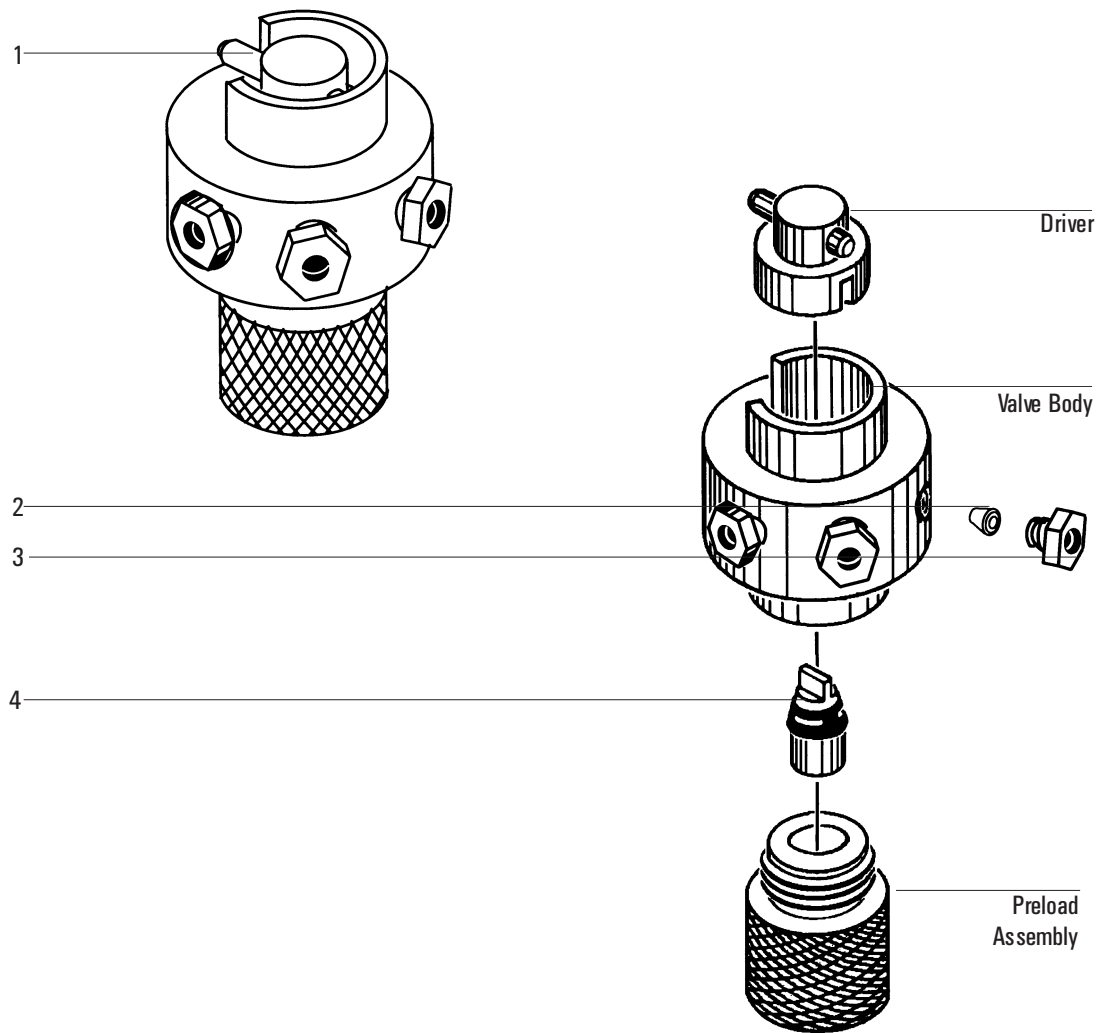


Figure 1350-5 Valco Valve 18900F